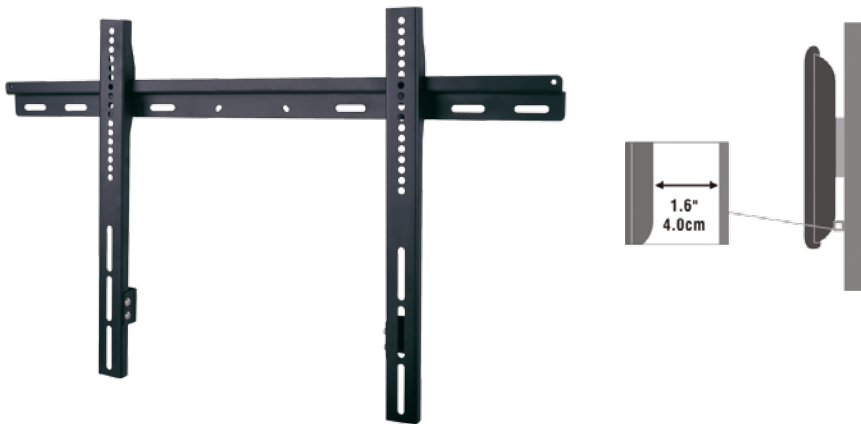




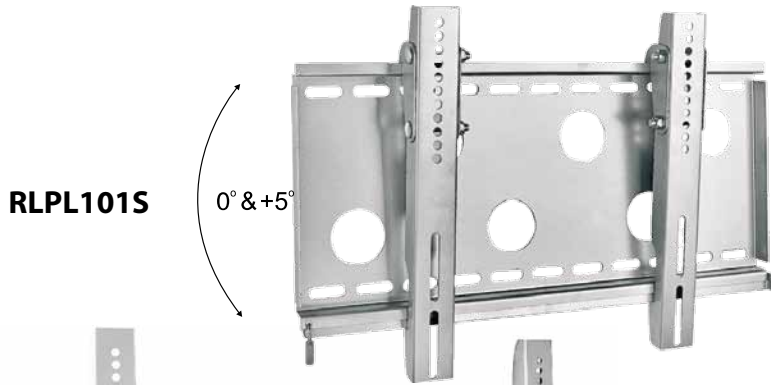
Plasma/LCD Wall Bracket



RLPL501B

RLPL501B

- Tilt: 0°.
- Solid heavy-gauge cold steel construction.
- Durable powder-coated finish (black).
- Compliant to VESA standard.
- Fits most large flat panel plasma and LCD TVs.
- Low profile allows TV to be mounted just 40mm from wall.
- Easy to install.
- Mounting hardware included.
- User manual included.



RLPL101S

RLPL101S & RLPL102S

- Tilt: 0° to +5°.
- Security safety lock feature for padlock use (padlock not included).
- Solid heavy-gauge cold steel construction.
- Durable powder-coated finish (silver).
- Compliant to VESA standard.
- Fits most large flat panel plasma and LCD TVs.
- Low profile allows TV to be mounted just 38mm from wall (at 0° position).
- Easy to install.
- Mounting hardware included.
- User manual included.



RLPL102S



Safety lock system

Specification and pricing subject to change without notice.

Model No.	RLPL501B	RLPL101S	RLPL102S
Suit TV Size	30-50 inch	23-37 inch	32-60 inch
Capacity	130 lbs/60 kg	100 lbs/45 kg	175 lbs/80 kg
Product Dim.(WxHxD)	760x510x40mm	525x350x38mm	815x530x38mm
Max Mount(WxH)	—	480x330mm	770x480mm
Net Weight	2.5kg	3.85kg	5.80kg